

Electric Pump

HYDRAULIC TORQUE WRENCH PUMP

PE30 Series
5 l/min Max Flow
 700 bar



VANGUARD® ELECTRIC HYDRAULIC TORQUE WRENCH PUMPS

- Two-speed general duty pump
- External adjustable pressure regulator
- Retract side internal relief valve protects tool
- Hand remote
- Use for double or single acting tools

CAUTION: This system should not be used for lifting applications.

HYDRAULIC TOOLS

Pump Model	Oil Delivery	Oil Reservoir (l)	Usable Oil (l)	Overall Width (mm)	Overall Length (mm)	Overall Height (mm)	Pump Weight w/Oil (kg)
PE30TWP-220	5 l/min. at 7 bar 0,5 l/min. at 700 bar	4,75	4,5	356	331	458	33

Electric Motor	Electrical Data	Electrical Control
4,000 rpm 0,75 KW, 220V/50Hz, 7 A		24 Volt remote control with 3 m cord

NON-CONDUCTIVE HOSE (700 BAR) For TWSD or TWLC Series Torque Wrench)

- For applications requiring electrical isolation.
- Quick Couplers & Plugs 1/4" fitting on both ends
- Leakage factor of less than 50 microampere.
- Orange polyurethane for easy identification.
- Covering is not perforated, preventing moisture from entering the hose and affecting its overall conductivity.
- Hoses feature a minimum 2,800 bar burst pressure.



TWH

HOSES – DUAL LINE	
TWH15	4.6m, 6.4mm ID non-conductive
TWH20	6.1m, 6.4mm ID non-conductive
TWH50	15.2m, 6.4mm ID non-conductive

Order No.	Couplers / Fittings	Metal Dust Cap
251410	Quick Coupler, Female Half, 1/4" NPTF Male	252364
251411	Quick Plug, Male Half, 1/4" NPTF Female	252365
12740	Coupling, 1/4" NPTF Female Both Ends	
10672	Straight Fitting, 1/4" NPTF Male Both Ends	

VANGUARD® ELECTRIC HYDRAULIC TORQUE WRENCH PUMPS

- Two-speed high performance pump
- External adjustable pressure regulator
- Retract side internal relief valve protects tool
- Hand remote
- Use for double or single acting tools

Electric Pump
HYDRAULIC TORQUE WRENCH PUMP

TWP55 Series
11,5 l/min MAX FLOW

700 bar



TWP55-50-220-01



TWP55-220C00L

HYDRAULIC TOOLS

CAUTION: This system should not be used for lifting applications.

Pump Model	Manifold	Oil Delivery (l/min)	Oil Reservoir (l)	Usable Oil (l)	Overall Width (mm)	Overall Length (mm)	Overall Height (mm)	Pump Weight w/Oil (kg)
TWP55-50-220-01	Single Tool	11,5 at 7 bar 0,9 at 700 bar	9,5	8,4	435	241	460	34
TWP55-220C00L (With Oil Cooling Fan)	Single Tool	11,5 at 7 bar 0,9 at 700 bar	9,5	8,4	520	241	460	37

Electrical Data	
Electric Motor	Electrical Control
0,84 KW, 12000 rpm 220V/50Hz, 13 amps	Remote control with 3m cord

Air Pump

TORQUE WRENCH PUMP

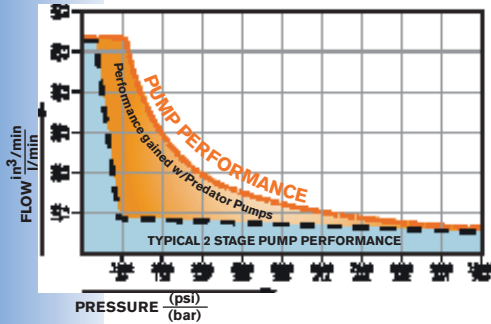
Air/Hydraulic
700 bar

PREDATOR SERIES HYDRAULIC AIR PUMPS

The new Predator Series air pumps are the first constant horsepower pump or horsepower limiting pump in the portable hydraulic pump market. What can torque wrench users expect? In a word..... SPEED.

A few advantages of the Predator Series Pumps:

- Powerful 4 HP air motor starts under load & yields up to twice the flow of other air pumps for greater application speed & productivity
- Continuous Duty Operation (Heavy-duty, extended cycle)
- External Pressure Adjustment to corresponding torque values
- Four Tool Manifold (Optional)
- Pneumatic remote control 25 ft. cord standard
- Calibratable, vibration damped 4" diameter gauge easy to read, 10,000 psi /700 bar
- Sealed Hydraulic Reservoir
- Easily replaceable pump cartridges minimize downtime & service costs
- 1,500 psi/103 Bar Return Side Relief Tool Protection
- Quiet operation
- Continuously variable performance curve offers maximum flow throughout the pressure range for greater productivity
- Exhaust air heat exchanger built-in:-
 - Internal oil path warms exhaust air to avoid freezing while cooling hydraulic oil to achieve optimum oil temperature
 - Muffled exhaust protects against elevated noise to ensure operator comfort
- Rugged construction for durability in tough environments
- ATEX II, CAT2, GDcT5 Compliant enables application in potentially explosive environments
- FRL Air Preparation Serviceable filter, regulator, lubricator ensures clean, lubricated & consistent air supply
- Optional roll bar design offers protection from damage



The above chart shows a traditional two stage hydraulic pump flow curve where high flow transitions to low flow at around 48 bar. The chart also shows that the Predator Series pump has much higher flow and flow remains smooth throughout the pressure curve. Flow is continually changing based on pressure, giving the maximum horsepower and flow for that pressure. The biggest increase in flow is between 69 & 345 bar.

For tools such as torque wrenches that normally operate between 69 & 345 bar, the impact is significant – tools operate twice as fast, increasing productivity or getting the job done in much less time.



PCHA60T3B0-C
(with handle & guard)

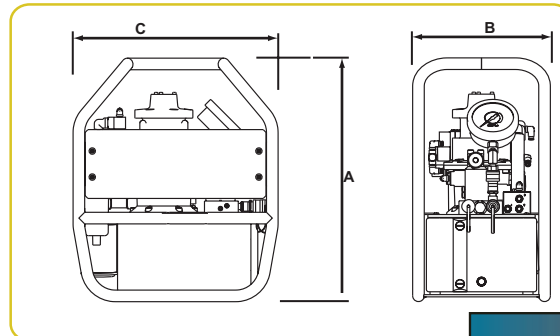


PCHA60T3B0-CR
(with roll cage)

Patent Pending

CONSTANT HORSEPOWER PUMP OR HORSEPOWER LIMITING PUMP. QUALITY ENGINEERED AND PRECISION-MACHINED USING STRONG LIGHTWEIGHT ALLOYS.

CAUTION: This Pump should not be used for lifting applications



Order No.	Required Air Pressure	Max. Pressure Output	RPM	dBa at Idle	Oil Delivery				Reservoir Usable	A	B	C	Product Weight (w/oil)
					52 bar	172 bar	350 bar	700 bar		Height	Width	Length	
PCHA60T3B0-C	2.5 m ³ /min @ 6 bar	700 bar	3,000	75	9.3 L/min.	3.7 L/min.	1.8 L/min.	0.9 L/min.	5.68L	510mm	300mm	460mm	36.3kg
PCHA60T3B0-CR : with roll cage													

Air Pump

HYDRAULIC TORQUE WRENCH

RWP55 SERIES
Max. flow 7,6 l/min

700 bar

AIR HYDRAULIC TORQUE WRENCH PUMP

- Use where air is the preferred source of power
- Powerful 2,2 Kw motor starts under load
- External adjustable pressure regulator
- Retract side internal relief valve protects tool
- Use for double or single acting tools
- Safe to use in hazardous or explosive environments
- Four-tool manifold (-4 model only) allows use of up to four tools simultaneously

CAUTION: This system should not be used for lifting applications.



RWP55



RWP55-4

HYDRAULIC TOOLS

Pump Model	Manifold	Oil Delivery (l/min)	Oil Reservoir (l)	Usable Oil (l)	Overall Width (mm)	Overall Length (mm)	Overall Height (mm)	Pump Weight w/Oil (kg)
RWP55	Single Tool	7,6 l/min at 7 bar 0,9 l/min at 700 bar	9,5	8,4	450	280	483	44
RWP55-4	4 Tool	7,6 l/min at 7 bar 0,9 l/min at 700 bar	9,5	8,4	450	280	483	45

Air Motor	Motor Data	Air Control
2,25 KW 1,4 m ³ / min @ 6 bar		Pneumatic remote control with 3,6 m cord

Note: Supplied without air servicing unit and roll cage.