

Low profile CYLINDERS RLS SERIES

5-150 Ton
Single-Acting,
Spring-Return

Ideal for confined areas from
41 to 101,6 mm clearance.

- Cylinder body, piston and gland nut “Power Tech” treated for corrosion and abrasion resistance (See page 6).
- Standard domed piston rod (5-30 ton) or swivel cap (50-150 ton) minimize effects of off-center loading.
- Unique heavy duty spring provides fast piston return.
- A 9796 3/8" NPTF female half coupler is standard with each cylinder (the RLS50 has a 3/8" coupler which is not angled).
- Oil ports are 3/8" NPTF.
- Couplers on all cylinders, except RLS50, are angled upward for extra clearance.

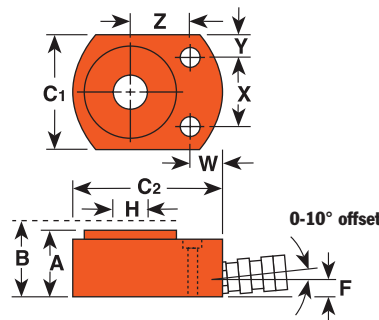


ASME B30.1
700 bar

CYLINDERS

MOUNTING HOLES FOR "RLS" CYLINDERS

RLS50	8,6mm C'bore x 6,4mm deep, 5,6mm thru hole	RLS500S	17,8mm C'bore x 12,7mm deep, 11,9mm thru hole
RLS100	10,7mm C'bore x 8,7mm deep, 7,1mm thru hole	RLS750S	20,3mm C'bore x 14,2mm deep, 13,5mm thru hole
RLS200	15,5mm C'bore x 10,4mm deep, 10,4mm thru hole	RLS1000S	20,3mm C'bore x 14,2mm deep, 13,5 mm thru hole
RLS300	15,5mm C'bore x 11,2mm deep, 10,4mm thru hole	RLS1500S	20,6mm C'bore x 14,2mm deep, 13,5mm thru hole



Cyl. Cap. (tons)	Stroke (mm)	Order No.	Oil Cap. (cm ³)	A Re-tracted Height (mm)	B Ex-tended Height (mm)	C1 & C2 Outside Dia. (mm)	F Base Port (mm)	H Piston Rod Prod. Dia. (mm)	Mounting Hole Location (mm)				Metric Tons at 700 bar			
									W	X	Y	Z	Bore Dia. (mm)	Cyl. Area (cm ²)	Eff. at 700 bar	Weight (kg)
5	14,3	RLS50	10	41,3	55,6	41,3x65,1	19,1	15,9	19,1	28,6	6,4	25,4	28,6	6,4	4,5	1,0
10	11,1	RLS100	17	44,5	55,6	55,6x82,6	15,9	19,1	17,5	36,5	9,5	33,3	42,9	14,4	10,1	1,5
20	11,1	RLS200	33	50,8	61,9	76,2x101,6	16,7	28,6	18,3	49,2	13,5	39,7	60,3	28,6	20,1	2,5
30	12,7	RLS300	53	58,7	71,4	95,3x114,3	18,3	34,9	20,6	52,4	21,4	44,5	73,0	41,9	29,5	3,9
50	15,9	RLS500S	99	66,7	82,6	114,3x139,7	21,4	44,5	23,8	66,7	23,8	54,0	88,9	62,1	43,6	6,3
75	15,9	RLS750S	163	79,4	95,3	140,5x165,1	25,4	54,0	23,8	76,2	32,1	65,9	114,3	102,6	72,2	10,6
100	15,9	RLS1000S	202	85,7	101,6	152,4x177,8	25,4	63,5	20,6	76,2	38,1	71,4	127,0	126,6	89,1	13,6
150	14,3	RLS1500S	282	101,6	115,9	190,5x215,9	33,3	76,2	33,3	117,5	36,5	79,4	158,8	197,9	139,2	23,6