

# Pancake Locking Collar

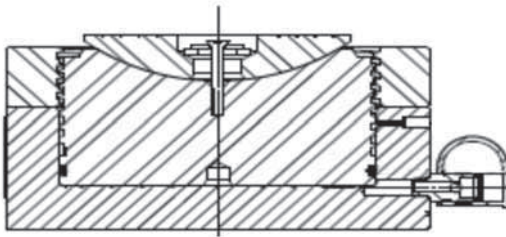
## CYLINDER PLC SERIES

**67-565 Ton**  
**"Single-Acting,"**  
**Load-Return**

Positive mechanical lock to support load. Ideal for confined area applications.

- Compact design - for use where space is limited
- Locking collar designed to support lifted load for extended periods of time with hydraulic pressure released
- Overflow port ("weep hole") prevents piston from being overextended under load.
- Special coating improves corrosion and abrasion resistance
- Cylinders come standard with hardened caps. Swivel caps reduce the effects of off-center loading and improves performance under side load.
- Equipped with 3/8" NPTF female half couplers

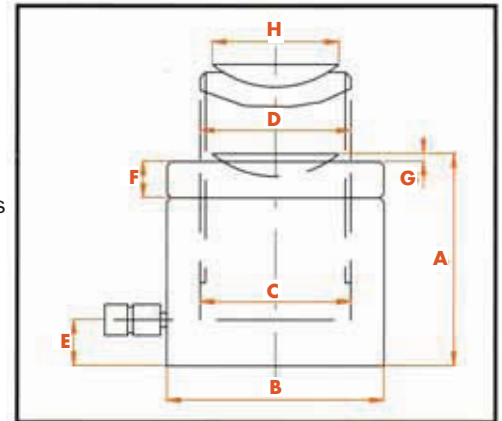
**CYLINDERS**



Integral Swivel Cap reduces the effects of off center loading.

Tilts up to 5 degrees.

Radial grooves on top of cap reduce load slippage.



Cyl. Cap. (tons)	Stroke (mm)	Order No.	Oil Cap. (cm <sup>3</sup> )	A		B	D	F	C	Cylinder Effective Area (cm <sup>2</sup> )	Metric Tons at 700 bar	Weight (kg)
				Retracted Ht. (mm)	Extended Ht. (mm)	Outside Dia. (mm)	Piston Rod Dia (mm)	Nut Thickness (mm)	Bore Dia. (mm)			
67	50.8	<b>PLC672</b>	435	125.7	176.5	140.0	104.4	26.7	104.4	85.6	60	15.0
110	50.8	<b>PLC1102</b>	745	137.7	188.5	174.6	136.7	31.1	136.7	146.6	103	26.0
180	50.8	<b>PLC1802</b>	1,176	153.9	204.7	219.6	171.7	41.0	171.7	231.4	163	44.0
220	50.8	<b>PLC2202</b>	1,447	160.6	211.4	244.7	190.5	43.0	190.5	284.9	200	57.0
280	50.8	<b>PLC2802</b>	1,856	164.8	215.6	274.7	215.7	44.5	215.7	365.4	257	75.0
430	45	<b>PLC4302</b>	2,513	183.9	228.9	355.6	266.7	57.4	266.7	558.4	393	134.0
565	45	<b>PLC5652</b>	3,282	197.9	242.9	399.7	304.8	62.2	304.8	729.3	513	189.0