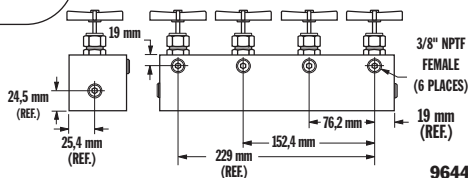
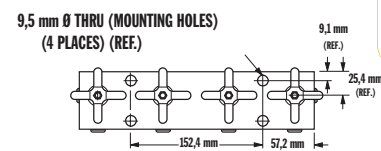
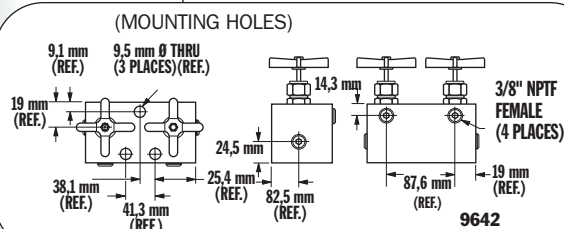
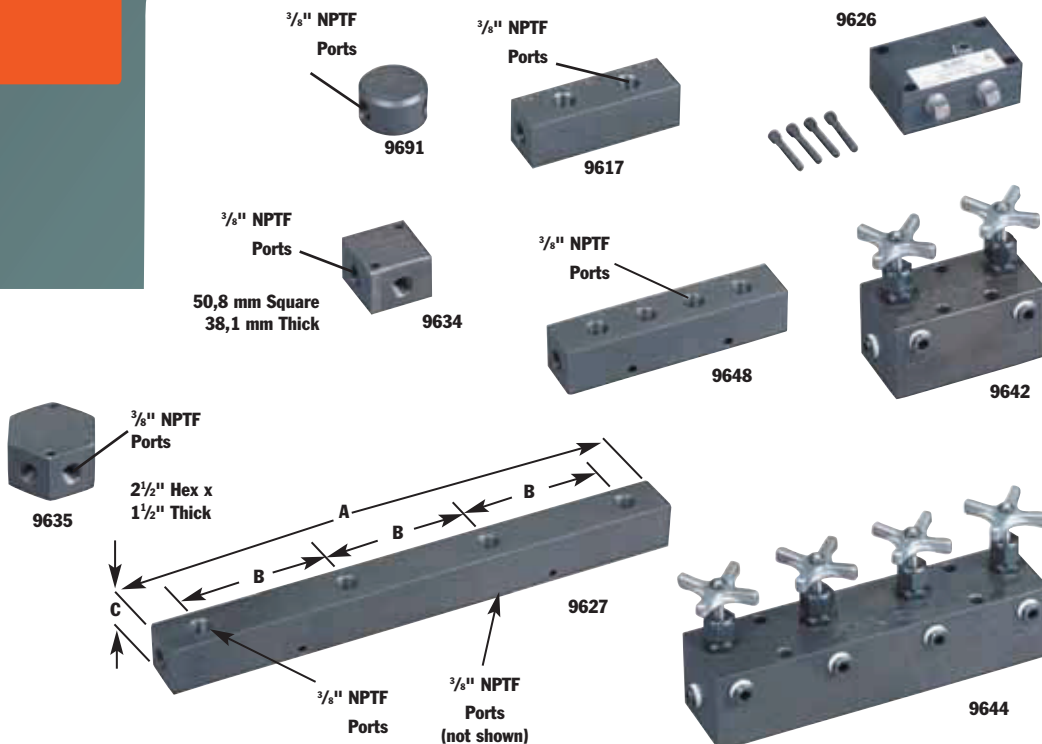


Manifolds

Remote and Pump Mounted

HYDRAULIC ACCESSORIES



Manifold No.	A (mm)	B (mm)	C (mm)
9627	406,4	114,3	38,1
9648	177,8	38,1	38,1

No. 9691 – "Y" Manifold

Extremely useful when connecting two hydraulic cylinders to a single line. Has three 3/8" NPTF ports. Wt. 0,45 kg.

No. 9634 – Manifold block

This manifold is for multiple-cylinder installations, has four 3/8" NPTF ports and two 1/4" mounting holes. Wt. 0,7 kg.

No. 9635 – Manifold block

This hex-shaped manifold offers extra versatility with six 3/8" NPTF ports and two 1/4" mounting holes. Wt. 0,9 kg.

No. 9617 – Manifold block

When a multiple-cylinder installation is required, this manifold is invaluable.

Has six 3/8" NPTF ports to handle larger multiple-cylinder systems. Wt. 1.4 kg.

No. 9648 – Manifold block

This 178 mm long manifold block has seven 3/8" NPTF ports and two 6,4 mm mounting holes. Wt. 1,2 kg.

No. 9627 – Manifold block

This 406,4 mm long manifold block allows you to mount the 9575 or 9596 valves without interference. Has seven 3/8" NPTF ports and two 6,4 mm mounting holes. Wt. 2,7 kg.

No. 9626 – Pump mounted manifold block

Converts pumps with pump mounted valves for use with remote mounted valves. This manifold block is subplate mounted on the pump cover plate and

provides 3/8" NPTF pressure and return ports. Maximum recommended flow rate is 19 l/min. Note: If used on PE30 or PG30 series pump, 12,7mm longer mounting screws are required. Order four (4) No. 11956 screws separately.

9642 AND 9644 MANIFOLD BLOCKS WITH NEEDLE VALVES

For independent multiple-cylinder operation, feature needle valves for precise manual control. Designed for remote-mounted applications. Can be used with all Power Team pumps.

No. 9642 – Manifold with two needle valves for control of two cylinders. Has four 3/8" NPTF ports. Wt. 3,7 kg

No. 9644 – Manifold with four needle valves for control of four cylinders. Has six 3/8" NPTF ports. Wt. 7,4 kg