

Maintenance Sets

Hydraulic System Components

JACKS

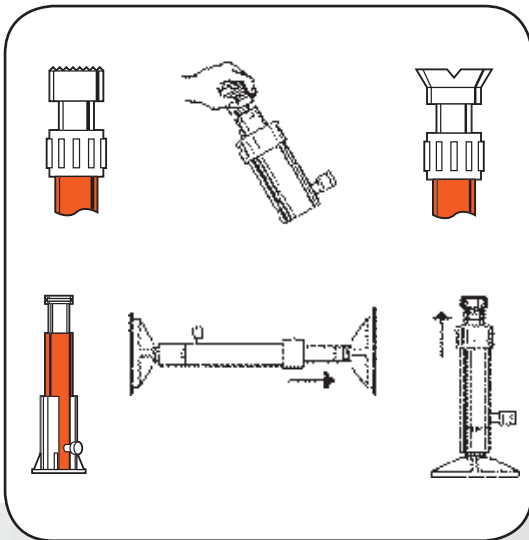


IM10E-220



IM10H

APPLICATION FLEXIBILITY



- Matched hydraulic system components, adapters and hydraulic spreader, contained in a rugged carrying and storage case.
- Portable sets are ideal for pushing, pulling, lifting, straightening, or clamping at remote job sites.
- Cylinders in set are rated at 10 tons at 700 bar. Set components are designed for full rated capacity of cylinders.
- Set IM10H includes hand operated pump.
- Set IM10E-220 includes the Quarter Horse® electrically driven portable power unit (220/230V, 50/60Hz, Single Phase).

ORDERING INFORMATION

Description	CONTENTS OF SET		Description	CONTENTS OF SET	
	IM10E-220 Order No.	IM10H Order No.		IM10L Order No.	
Hydraulic spreader	HS2000	HS2000	Hydraulic spreader	HS2000	HS2000
Electric hydraulic pump	PE102-220	P59	Hand pump	P59	P59L
700 bar hyd. gauge	9041	9041	700 bar hyd. gauge	9041	9041
Tee adapter	9670	9670	Tee adapter	9670	9670
Hose & coupler assembly	9754	9754	Hose & coupler assembly	9754	9754
90° V base	25395	25395	90° V base	25395	25395
Threaded coupler	25664	25664	Threaded coupler	25664	25664
Serrated saddle	31772	31772	Serrated saddle	31772	31772
Flat base	32325	32325	Flat base	32325	32325
Extension rod – 127mm length	350897	350897	Extension rod - 127mm length	350897	350897
Extension rod – 254 mmlength	38909	38909	Extension rod - 254mm length	38909	38909
Extension rod – 457 mm length	350898	350898	Extension rod - 457mm length	350898	350898
Cyl. support base	420062	420062	Cyl. support base	420062	420062
Cyl. ass'y, 10 ton, 257 mm stroke	C1010CBT	C106CBT	Cyl. ass'y, 10 ton, 156mm stroke	C106CBT	C106CBT
Cyl. ass'y, 10 ton, 156 mm stroke	C106CBT	350722	Storage box*	350722	350722
Storage box*	350722				
	Prod. Weight – 48,1 kg.			Prod. Weight 40,4 kg.	Prod. Weight 36,8 kg.

* Actual product may differ from photo.