

# Hydraulic PUNCHES

**20 & 35 Ton**  
700 bar

HYDRAULIC TOOLS

- Punch smooth, precise holes in seconds; much faster than drilling.
- Fully portable for construction, maintenance and service applications, or can be mounted on a workbench for production jobs. Has carrying handle for precise locating.
- Rugged, forged steel "C" frame for great strength and durability.
- Dual action, spring loaded stripper holds material during punching operation, strips material from punch on return. Scribe lines on stripper aid in locating the punch (HP 35 only).
- Double Acting prevents binding and speeds retraction (HP20 only).
- The PE172 electric/hydraulic pump is an ideal power source.

**No. HP35** – Punch only, includes metal case and die change tools. Wt., 19 kg.

**No. HP35S** – Punch with punches and dies. Includes HP35 punch, metal case and 250459 punch/die set. Wt., 20 kg.

**No. HP35SP-220** – Punch set with pump. Includes HP35 punch, PE172-50-220 (220V/50Hz) electric/hydraulic pump, 9756 hose, 9798 hose half coupler, 250459 punch/die set, metal case. Wt., 40 kg.

**NOTE:** Available in 115 volt, 60 Hz. Order without suffix "-220".

**No. HP35P-220** – Punch set with pump. Same as HP35SP-220, but does not include punch/die set. Wt., 39 kg.

**NOTE:** Available in 115 volt, 60 Hz. Order without suffix "-220".

**No. 250459** – Punch/die set for round holes. Includes one each: PD437 11,1 mm punch/die, PD562 14,3 mm punch/die, PD688 17,5 mm punch/die, PD812 20,6 mm punch/die. Wt., 0,7 kg.



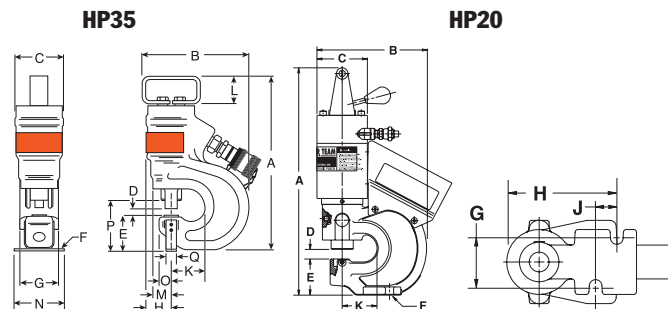
**HP35**  
(Single-acting)



**HP20**  
(Double-acting)

PUNCH/DIE SETS FOR HP35 HYDRAULIC PUNCHES			
For use with HP35 Hyd. Punch			
Punch Size (mm)	Punch Style	Punch/w Flat Die Set	Punch/w Bevel Die Set
7,9	○ Round	PD313	—
9,5		PD375	PD375B
11,1		PD437	PD437B
13,5		PD531	PD531B
14,3		PD562	PD562B
17,5		PD688	—
19,8		PD781	—
20,6		PD812	—

**Punch/Die sets for HP20 Hydraulic Punch: Consult factory**



Cap. (tons)	Order Number	Max. Oper. Press. (bar)	Max. Oil Cap. (cm <sup>3</sup> )	Max. Material thickness			Mtnng. Holes										Max. Throat Depth				
				A (mm)	B (mm)	C (mm)	D (mm)	E (mm)	F (mm)	G (mm)	H (mm)	J (mm)	K (mm)	L (mm)	M (mm)	N (mm)	O (mm)	P (mm)	Q (mm)		
20	HP20	700	64	12,7	419	202	93	16	66	14	54	124	24	57	—	—	—	—	—	—	
35	HP35	700	75	12,7	349	229	95	14	73	6	76	46	—	71	57	38	89	22	102	19	

General reference guide for metal punching operations: Consult factory.