

420 Series Piston Pumps – New additions

ADU062/SAE-C Mount
ADU080/SAE-C Mount

New Models

ADU080 and ADU062 with SAE-C Mounting and Shaft (SAE J744-32-1/4)

New Models in the 420 Series piston pumps are the ADU080 (80 cc/rev) and ADU062 (62 cc/rev) with the SAE-C mounting and shaft. These are the additions to the existing ADU041 and ADU062 with the SAE-B 2-bolt mounting flange.

The extended displacement sizes and mounting options cover a wider range of applications. The SAE-C shaft provides a greater torque capacity.



ADU080 Specifications

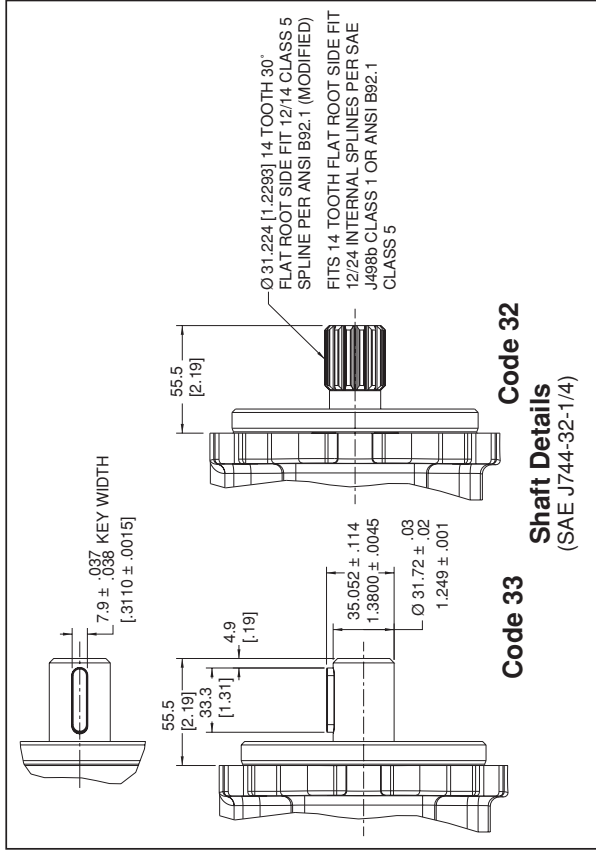
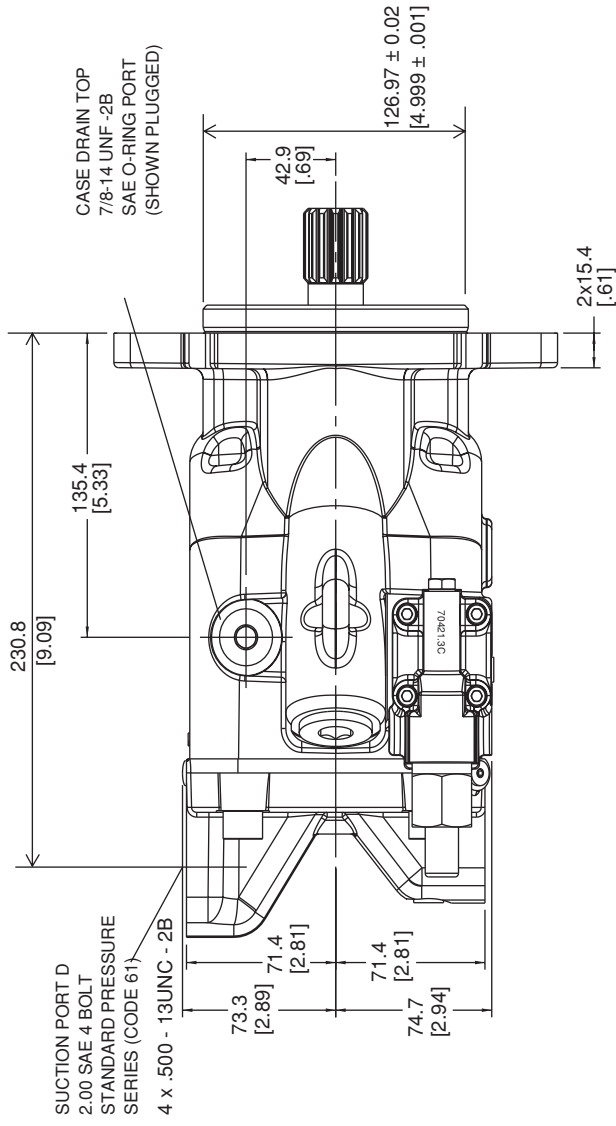
Displacement :	80.0 cc/rev (4.88 cu.in/rev)
Pressure Rating :	Continuous 210 bar (3050 psi) Intermittent 230 bar (3335 psi) Peak 250 bar (3625 psi)
Speed Rating :	Maximum 2200 rpm (at 1bar inlet) * 3200 rpm (at standby)
Power Rating	Maximum input power 76.8 kW (at rated speed and pressure)
Mounting & Shaft :	SAE-C (composite 2 and 4 bolt), SAE-B/BB option available
Thru-Drives :	SAE-A (9T and 11T), SAE-B (13T) and SAE-BB (15T)
Weight :	23-24 kg

ADU062 Specifications : Pump performances are identical to SAE-B mount ADU062

Displacement :	62.3 cc/rev (3.80 cu.in/rev)
Pressure Rating :	Continuous 280 bar (4060 psi) Intermittent 320 bar (4600 psi) Peak 350 bar (5000 psi)
Speed Rating :	Maximum 2600 rpm (at 1bar inlet) * 3600 rpm (at standby)
Power Rating	Maximum input power 75.9 kW (at rated speed and pressure)
Mounting & Shaft :	SAE-C (composite 2 and 4 bolt), and SAE-B/BB
Thru-Drives :	SAE-A (9T and 11T), SAE-B (13T) and SAE-BB (15T)
Weight :	22-24 kg

420 Series Pump with SAE-C Mounting Installation

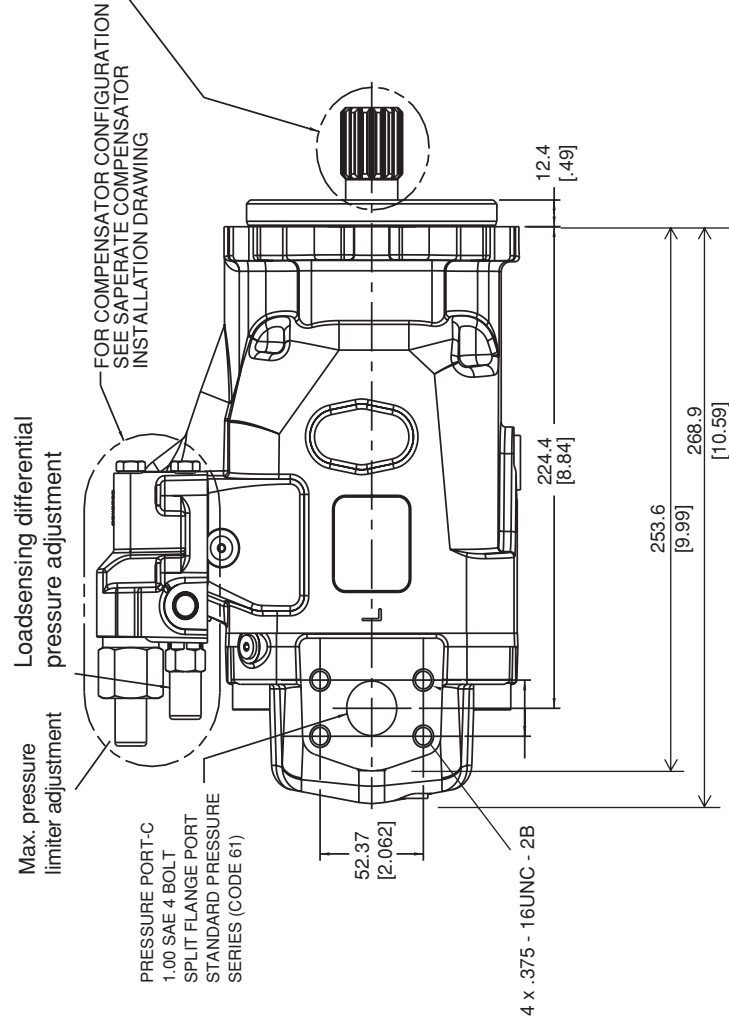
R-Rotation Non Thru-Drive Pump is shown. (Suction and pressure port orientation is reversed for L-Rotation)



Code 32

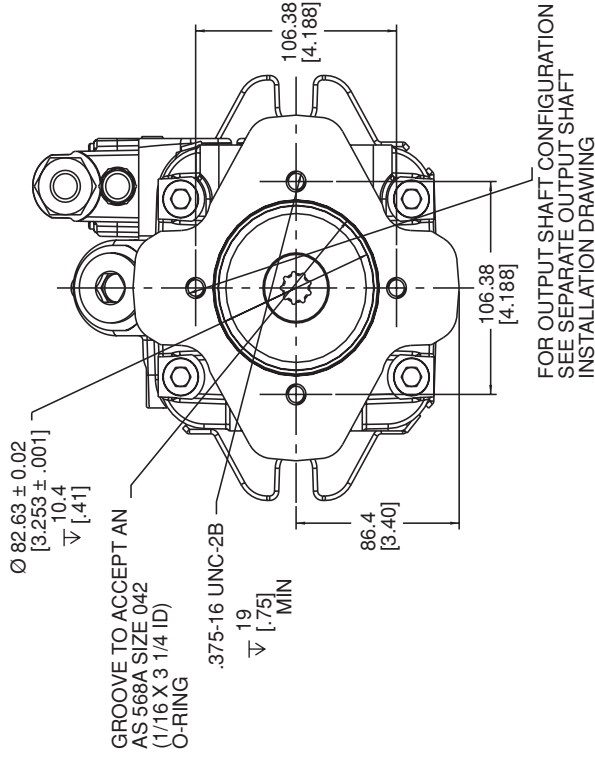
Shaft Details

(SAE J744-32-1/4)

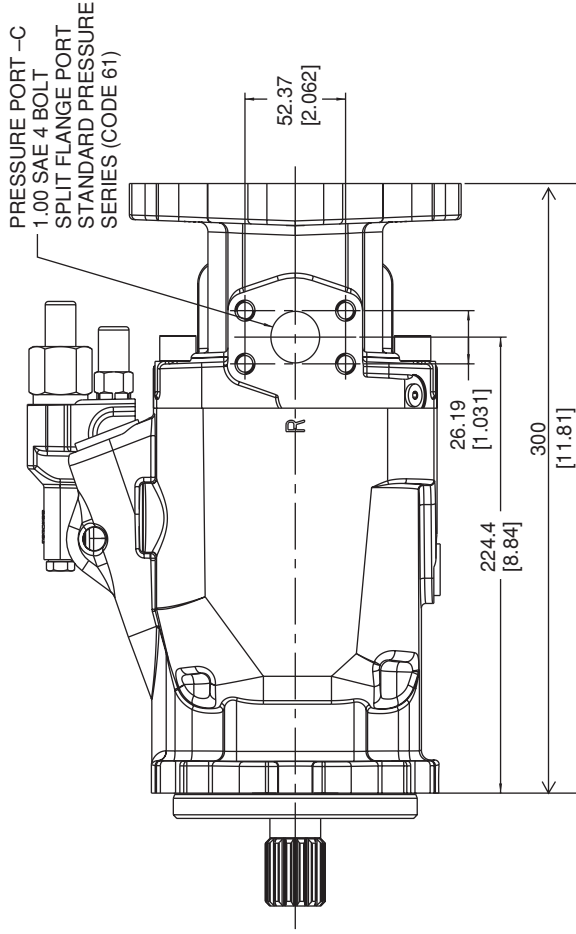
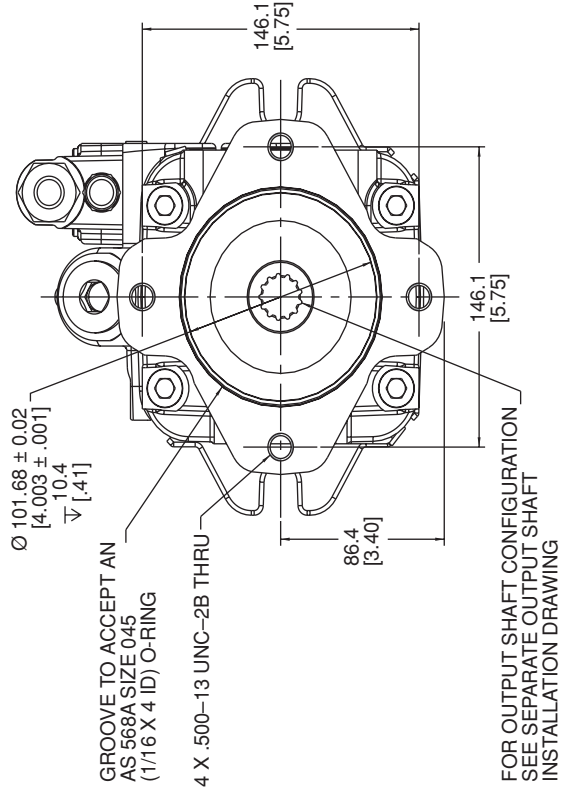


Local standard models have maximum displacement adjustment.
The drawing shows a pump model without the adjustment.

L-Rotation Thru-Drive SAE-A (9T spline) Pump is shown.
(Suction and pressure port orientation is reversed for R-Rotation)
Mounting face to port dimensions are identical to non thru-drive pumps'.



L-Rotation Thru-Drive SAE-B (13T spline) Pump is shown.
See SAE-A Thru Drive drawing above for pump axial dimensions



Local standard models have maximum displacement adjustment.
 The drawing shows a pump model without the adjustment.

Maximum Allowable Torque Values (SAE-C Front Mounting ADU080 and ADU062)

Input Shaft Code	Input Mounting and Shaft Type	Max. Input Torque Nm (lb-in)	Aux. Mount	Available Output Nm (lb-in)
32	SAE-C spline (14T)	639 (5660)	None	None
			SAE-A (9T) Code AE	58 (517)
			SAE-A (11T) Code AB	124 (1100)
			SAE-B (13T) Code AC	211 (1875)
33	SAE-C keyed (1.25")	449 (3980)	SAE-BB (15T) Code AD	316 (2800)
			None	None
			SAE-A (9T) Code AE	58 (517)
			SAE-A (11T) Code AB	124 (1100)
			SAE-B (13T) Code AC	211 (1875)
			SAE-BB (15T) Code AD	316 (2800)

Maximum input torque value for input shaft and mount must not be exceeded.
 The combined torque of a front and rear pump tandem must not exceed the maximum torque.
 The rear pump torque must not exceed the available output torque value above.

ADU080 and ADU062 with SAE-C Mounting Flange - Standard Models

Item number	Model Code	Rot.	Mount/shaft	Thru-Drive	Bleed Orifice
ADU062 R-Rotation Single Pumps					
421AK00481A	ADU062R33AB13A35140000200500CD0A	R	SAE-C-Key	None	w/o
421AK00483A	ADU062R33AB13A3514000A200500CD0A	R	SAE-C-Key	None	c/w
421AK00485A	ADU062R32AB13A35140000200500CD0A	R	SAE-C-Spline	None	w/o
421AK00487A	ADU062R32AB13A3514000A200500CD0A	R	SAE-C-Spline	None	c/w
ADU062 R-Rotation SAE-A Thru-Drive Pumps					
421AK00505A	ADU062R33AB10A351400002AE5AACD0A	R	SAE-C-Key	SAE-A	w/o
421AK00509A	ADU062R32AB10A351400002AE5AACD0A	R	SAE-C-Spline	SAE-A	w/o
ADU062 R-Rotation SAE-B Thru-Drive Pumps					
421AK00529A	ADU062R33AB10A351400002AC500CD0A	R	SAE-C-Key	SAE-B	w/o
421AK00533A	ADU062R32AB10A351400002AC500CD0A	R	SAE-C-Spline	SAE-B	w/o
ADU062 L-Rotation Single Pumps					
421AK00473A	ADU062L33AB13A35140000200500CD0A	L	SAE-C-Key	None	w/o
421AK00477A	ADU062L32AB13A35140000200500CD0A	L	SAE-C-Spline	None	w/o
ADU080 R-Rotation Single Pumps					
421AK00492A	ADU080R33AB13A27140000200500CD0A	R	SAE-C-Key	None	w/o
421AK00493A	ADU080R33AB13A2714000A200500CD0A	R	SAE-C-Key	None	c/w
421AK00494A	ADU080R32AB13A27140000200500CD0A	R	SAE-C-Spline	None	w/o
421AK00495A	ADU080R32AB13A2714000A200500CD0A	R	SAE-C-Spline	None	c/w
ADU080 R-Rotation SAE-A Thru-Drive Pumps					
421AK00516A	ADU080R33AB10A271400002AE5AACD0A	R	SAE-C-Key	SAE-A	w/o
421AK00518A	ADU080R32AB10A271400002AE5AACD0A	R	SAE-C-Spline	SAE-A	w/o
ADU080 R-Rotation SAE-B Thru-Drive Pumps					
421AK00540A	ADU080R33AB10A271400002AC500CD0A	R	SAE-C-Key	SAE-B	w/o
421AK00542A	ADU080R32AB10A271400002AC500CD0A	R	SAE-C-Spline	SAE-B	w/o
ADU080 L-Rotation SAE-A thru-Drive Pumps					
421AK00512A	ADU080L33AB10A271400002AE5AACD0A	L	SAE-C-Key	SAE-A	w/o
421AK00514A	ADU080L32AB10A271400002AE5AACD0A	L	SAE-C-Spline	SAE-A	w/o
Major Parts					
4998319-001	ADU080 Valve Plate R-Rotation				
5986963-001	ADU080 Valve Plate L-Rotation				
4995492-001	ADU062 Valve Plate R-Rotation				
4995491-001	ADU062 Valve Plate L-Rotation				
4998581-002	SAE-C Key Shaft Single				
4998581-001	SAE-C Spline Shaft Single				
5987043-002	SAE-C Key Shaft Thru-Drive				
5987043-001	SAE-C Spline Shaft Thru-Drive				
475134	SAE-BB Thru-Drive Coupling				
4998834-001*	Shaft Seal (Fluorocarbon - Viton)				
9900194-007**	Seal Kit (Fluorocarbon - Viton)				
9900194-008	Shaft Shim Kit				
17063-11	Compensator Spring - low pressure range				
4997108-001	Compensator Spring - high pressure range				

Note for Model Code for SAE-C Models

- Code 32 : Spline shaft to SAE-C
- Code 33 : Keyed shaft to SAE-C
- Seal Material Code 5 shows single shaft seal in double seal housing. This is standard for SAE-C models
- Thru-Drive Code AE shows SAE-A (9T) thru-drive with coupling. This compares Code AA for SAE-B front mounting pumps with SAE-A thru-drive without coupling.

* This is for SAE-C Shafts.

** Seal Kit does not include SAE-C Shaft Seal.